



## **DANIAMANT** L40 intrinsically safe lifebuoy light

### Installation and Maintenance Instructions



#### **Description**

The L40 lifebuoy light is a water-activated system designed for automatic actuation by the act of releasing the lifebuoy to which the unit is attached. The battery ripcord is attached to the storage housing, such that the battery is unsealed ready for use when the light is pulled from the housing.

The light illuminates, providing an omnidirectional 2Cd output, when the unsealed battery is immersed.

The L40 light is certified intrinsically safe, category II 2 G, Eex e ia IIC T3, certificate number ITS02ATEX3047X.

## **Daniamant Limited**

Unit 3, The Admiral Park, Airport Service Road, Portsmouth, UK PO3 5RQ  
+44 (0)23 9267 5100

64-7001 Issue 10

## Installation

Typical mounting positions are shown in the illustrations on Page 3.

## Stowage

The L40 has been constructed to withstand a drop into the water from at least 30M as required by LSA Code (Chapter II, Section 2.1.1.6). This model has been tested and approved to 36M.

Maximum Stowage Height: 36M.

## Maintenance

### Routine service

The unit is maintenance free, but the following checks should be made periodically (eg annually):

1. Inspect visually to ensure the casing has not swollen and that no component parts are missing or damaged.
2. The complete L40 should be replaced after five years from the date of manufacture marked on the product.

## Physical properties

<b>Dimensions</b>	Lifebuoy Light	245mm high x 100mm Ø
	Lifebuoy Light & Housing	275mm high x 155mm wide x 150mm deep
<b>Weight</b>	Lifebuoy Light	430g
	Lifebuoy Light & Housing	1130g

## Safety

This light uses Magnesium/Silver Chloride cells. These must be handled correctly:

- Do not dismantle battery pack
- Do not make any external electrical connection
- Do not recharge
- Do not incinerate
- Store between  $-30\text{ }^{\circ}\text{C}$  and  $+65\text{ }^{\circ}\text{C}$

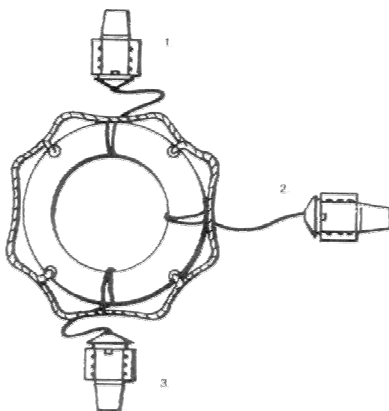
## Health and Safety information

Information on the composition and behaviour of these products is contained in the Material Safety Data Sheet, available on request, or via our website [www.daniamant.com](http://www.daniamant.com)

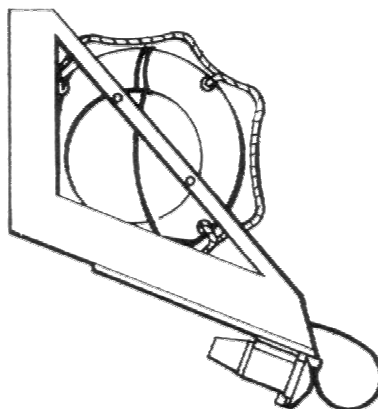
## Disposal

Silver cathodes are reclaimed by specialist processors. Dispose of other materials in accordance with local regulations. This should be done through an approved environmental disposal agent.

## L40 lifebuoy light and housing



***Bulkhead mounting  
showing alternative positions***





***Automatic bridge/taffrail release***

Attach lanyard to lifebuoy  
Head of spring peg should face line of release


## Marking Details

### Approval Label

<b>DANIAMANT TYPE L40</b>			
 <b>II 2G</b>			
EEx e ia IIC T3			
ITS02ATEX3047X			
TC: 137.034.030			
MODEL	MANF.	EXPIRY	BATCH
L40	XXXXX	XXXXX	XXXXXXXXXX
IECEx ITS 07.0001X			
Ex e ia IIC T3			
<b>CE0359</b>			
MADE BY DANIAMANT Ltd			
PORTSMOUTH U.K.			

 0038  
XX  
Lloyd's Register

### Instruction Label



**DANIAMANT**

TO ASSEMBLE - LOOP THE  
LANYARD AROUND THE  
BUOY AND FASTEN SECURELY.  
LIGHT WILL ACTIVATE ON  
ENTRY INTO WATER.  
DO NOT STOW MORE THAN  
36m ABOVE WATERLINE.