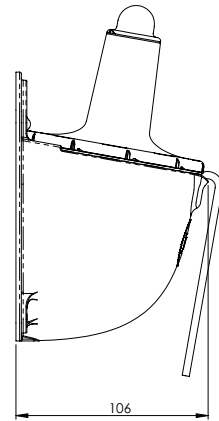
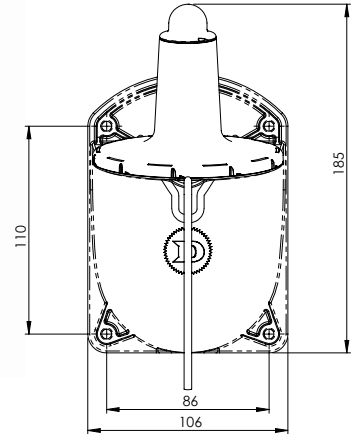


# TECHNICAL DATA SHEET

# LIFEBUOY LIGHTS



MODEL	L160	L161	L162	L163
<b>Part number</b>	62-001A	62-002A	62-003A	62-004A
<b>Colour – Light</b>	Yellow		International Orange	
<b>Colour – Bracket</b>	Black			
<b>Light – Output</b>	2 Candela minimum			
<b>Light – Duration</b>	2 hours min	2 hours min	15 hours min	15 hours min
<b>Light – Type</b>	Flashing LED			
<b>Material – Lifebuoy Light</b>	Polypropylene Ether + PS			
<b>Material – Bracket</b>	Polypropylene			
<b>Storage Temperature</b>	-30° C to + 65° C			
<b>Operating Temperature</b>	-1° C to + 30° C			
<b>Storage Life</b>	5 years	5 years	5 years	5 years
<b>Drop Height</b>	76 metres			
<b>Weight – Nominal</b>	255 grams	300 grams	300 grams	320 grams
<b>Battery Type</b>	Lithium Manganese Dioxide			
<b>Activation</b>	Automatic via Pull Cord			
<b>Intrinsically Safe</b>	No	Yes	No	Yes
<b>Nato Stock number</b>	6230 99 613 4941	6230 99 366 5928	-	-
<b>Approvals – Classification Societies</b>	SOLAS/MED	SOLAS/MED/ ATEX/IECEx	SOLAS/MED/ USCG/ETL	SOLAS/MED/USCG ATEX/IECEx/ETL
<b>Approvals – Country</b>	See our web site for full list of Country approvals			

## Transport Specification

**UN Hazard Code:** Exempt from transport packing, marking and labelling regulations under surface ADR & IMDG Special Provision 188, IATA Packing Instruction 970 Section II

**UN Number:** 3091

**UN Proper**

**Shipping Name:** Lithium metal batteries contained in equipment

**Packing Group:** II

**Lithium Content,**

**L160:** 0.54 g (Lithium metal battery)

**L161:** 1.08 g (Lithium metal battery)

**L162:** 1.45 g (Lithium metal battery)

**L163:** 1.45 g (Lithium metal battery)

**Watt hour rating,**

**L160:** 4.65 wh

**L161:** 9.30 wh

**L162:** 13.44 wh

**L163:** 13.44 wh

**Labelling:**

Packages must be labelled with the Lithium Battery Handling label

## Packing Specification

To minimize shipping costs, all Lifebuoy Lights are packed in either boxes of 10 off or 20 off.

**The dimensions are;**

Box of 10 off: 58 x 23 x 20 cm

Box of 20 off: 46 x 46 x 31 cm

**Approximate packed weights are,**

**L160:** 10 off at 3.7 kg. 20 off at 7.4 kg

**L161:** 10 off at 4.2 kg. 20 off at 8.3 kg

**L162:** 10 off at 4.2 kg. 20 off at 8.3 kg

**L163:** 10 off at 4.4 kg. 20 off at 8.7 kg

## Further Information

The Product Brochure, Installation & Operating Instructions & Material Safety Data Sheet (MSDS) can all be found on our web site. This information was correct at time of going to press, please check our web site for any updates.

Daniamant operates a policy of continuous improvement and reserves the right to amend the specifications in accordance with that philosophy.



IECEx number:  
ITS09.0022X



ATEX number:  
ITS09ATEX26366X

MED/SOLAS



0038/YY



Intertek  
3195124

### Daniamant Ltd

Unit 3, The Admiral Park  
Airport Service Road  
Portsmouth, PO3 5RQ  
United Kingdom

Tel +44 23 92 67 51 00  
Fax +44 23 92 67 51 01  
sales@daniamant.com

### Daniamant ApS

Industrivej 24C  
3550 Slangerup  
Denmark

Tel +45 47 37 38 00  
Fax +45 47 37 38 09  
orders@daniamant.com



**DANIAMANT**