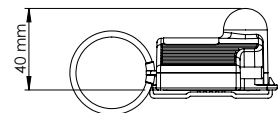
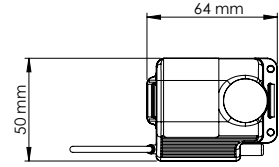


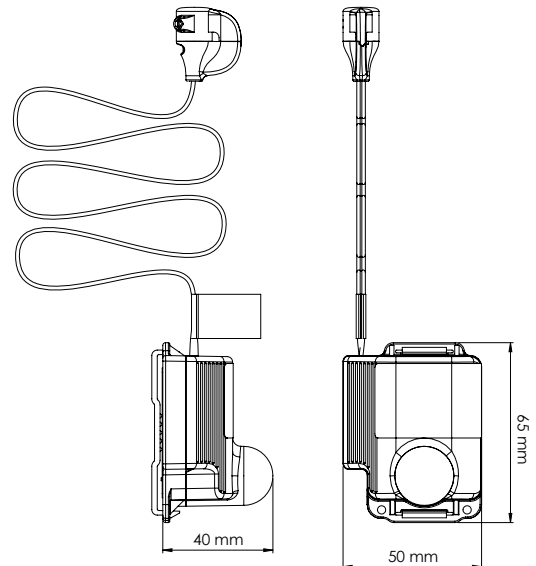
TECHNICAL DATA SHEET

INTRINSICALLY SAFE LIGHTS

L6-Ex and L6A-Ex



MODEL	L6-Ex	L6A-Ex
Part number	79-310A	79-350A
Colour	Yellow	
Light - Output	Minimum 0.75 cd	
Light - Duration	Minimum 8 hours	
Light - Type	Flashing	
Material	Polycarbonate	
Storage Temperature	-30° C to + 65° C	
Operating Temperature	-1° C to + 30° C	
Storage Life	5 years	
Weight - Nominal	59 g	66 g
Battery Type	Lithium Manganese Dioxide	
Activation	Manual	Water
Ex number	Ex ia IIC T3 Ga	
Ex Temperature range	-35° C < Ta < +65° C	
Use in Zones	0, 1 & 2	
ATEX category	1G (Intrinsic safety)	
Temperature Class	T3 (Max surface Temp 200° C)	
Approvals - Classification Societies	SOLAS/MED/USCG/ATEX/IECEx	
Approvals - Country	See our web site for full list of Country approvals	



Transport Specification

UN Hazard Code: Exempt from transport packing, marking and labelling regulations under surface ADR & IMDG Special Provision 188, IATA Packing Instruction 970 Section II

UN Number: 3091

UN Proper Shipping Name: Lithium metal batteries contained in equipment

Packing Group: II

Lithium Content, All Types: 0.54 g (Lithium metal battery)

Watt hour rating, All Types: 4.65 wh

Labelling: Packages must be labelled with the Lithium Battery Handling label

Packing Specification

To minimize shipping costs, both Lifejacket Lights are packed and supplied in boxes of 50 off.

The dimensions are:
Box of 50 off: 45 x 35 x 15 cm

Approximate packed weights are:
L6-Ex: 50 off at 4.5 kg
L6A-Ex: 50 off at 5.0 kg

Further Information

The Product Brochure, Installation & Operating Instructions & Material Safety Data Sheet (MSDS) can all be found on our web site. This information was correct at time of going to press, please check our web site for any updates.

Daniamant operates a policy of continuous improvement and reserves the right to amend the specifications in accordance with that philosophy.



L6-Ex/L6A-Ex:
IECEx ITS 11.0008X



L6-Ex/L6A-Ex:
ITS11ATEX27239X

MED/SOLAS



0038/YY

Daniamant Ltd

Unit 3, The Admiral Park
Airport Service Road
Portsmouth, PO3 5RQ
United Kingdom

Tel +44 23 92 67 51 00
Fax +44 23 92 67 51 01
sales@daniamant.com

Daniamant ApS

Industrivej 24C
3550 Slangerup
Denmark

Tel +45 47 37 38 00
Fax +45 47 37 38 09
orders@daniamant.com

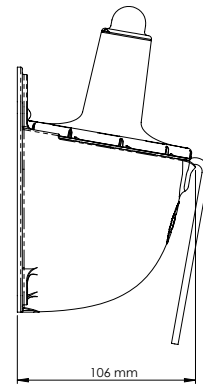
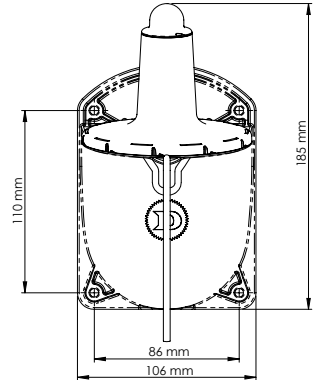


DANIAMANT

TECHNICAL DATA SHEET

INTRINSICALLY SAFE LIGHTS

L40, L161 and L163



MODEL	L40	L161	L163
Part number	64-B400	62-002A	62-004A
Colour – Light Body	Yellow	Yellow	International Orange
Colour – Bracket	Red	Black	Black
Light – Output	2 Candela minimum		
Light – Duration	2 hours		15 hours min
Light – Type	Steady Light	Flashing LED	
Material – Lifebuoy Light	Low Density Polyethylene (PDPE)	Polyphenylene Ether + PS	
Material – Bracket	Low Density Polyethylene (PDPE)	Polypropylene	
Storage Temperature	-30° C to +65° C		
Operating Temperature	-1° C to +30° C		
Storage Life	5 years		
Drop Height	30 metres	76 metres	
Weight – Nominal	1040 grams	300 grams	320 grams
Battery Type	Silver Chloride	Lithium Manganese Dioxide	
Activation	Water	Automatic via Pull Cord	
Ex number	Ex e ia IIC T3	Ex ia IIC T3 Ga	Ex ia IIC T3 Ga
Ex Temperature range	-20° C to +40° C	35° C < Ta < +85° C	-35° C < Ta < +85° C
Use in Zones	1 & 2	0, 1 & 2	0, 1 & 2
ATEX Category	2G (Increased safety)	1G (Intrinsic safety)	1G (Intrinsic safety)
Temperature Class	T3 (Max surface Temp 200° C)		
NATO Stock number	6230 99 527 9412	6230 99 366 5928	-
Approvals – Classification Societies	SOLAS/MED/ATEX/IECEX	SOLAS/MED/ATEX/IECEX/ETL	SOLAS/MED/ATEX/IECEX/ETL/USCG
Approvals – Country	See our web site for full list of Country approvals		

Transport Specification

L40: Non-hazardous
L161/L163: Exempt from transport packing, marking and labelling regulations under surface ADR & IMDG Special Provision 188, IATA Packing Instruction 970 Section II
UN Hazard Code: 3091
UN Number: 3091
UN Proper Shipping Name: Lithium metal batteries contained in equipment
Packing Group: II
Lithium Content,
L161: 1.08 g (Lithium Metal Battery)
L163: 1.45 g (Lithium Metal Battery)
Watt hour rating,
L161: 9.30 wh
L163: 13.44 wh
Labelling: Packages must be labelled with the Lithium Battery Handling label

Packing Specification

To minimize shipping costs, all these Lifebuoy Lights are packed in boxes of 10 off.
The dimensions are,
L40: Box of 10 off: 61 x 25 x 35 cm
L161: Box of 10 off: 58 x 24 x 22 cm
L163: Box of 10 off: 58 x 24 x 22 cm
Approximate packed weights are,
L40: 10 off at 11.5 kg
L161: 10 off at 4.5 kg
L163: 10 off at 4.5 kg

Further Information

The Product Brochure, Installation & Operating Instructions & Material Safety Data Sheet (MSDS) can all be found on our web site. This information was correct at time of going to press, please check our web site for any updates.

Daniamant operates a policy of continuous improvement and reserves the right to amend the specifications in accordance with that philosophy.



L40:
IECEX ITS 07.0001X
L161/L163:
IECEX ITS 09.0022X



L40:
ITS02ATEX3047X
L161/L163:
ITS09ATEX26366X

MED/SOLAS



0038/YY

Daniamant Ltd

Unit 3, The Admiral Park
 Airport Service Road
 Portsmouth, PO3 5RQ
 United Kingdom
 Tel +44 23 92 67 51 00
 Fax +44 23 92 67 51 01
 sales@daniamant.com

Daniamant ApS

Industrivej 24C
 3550 Slangerup
 Denmark
 Tel +45 47 37 38 00
 Fax +45 47 37 38 09
 orders@daniamant.com



DANIAMANT